

Presenting all new breed of Electric Tow Tractors DTPM Series

Model DTPM 300/400/500

- Economical, eco-friendly and ergonomically designed.
- Towing of trailers to pick, move and transfer operations in industries.
- Ideal for Cargo Tugging in Airports, In-plant and Warehouses.
- Sleek, Sturdy and Stable for better maneuvering in narrow aisles.
- Highly Efficient for Gradient Operations.



Compact design for smart move



Advanced de-latching system



Easy maintenance battery case



Quick battery replacement system



Tail lamps, indicators & towing hitch

Model DSPM 300/400/500

- Economical, eco-friendly and ergonomically designed.
- Towing of trailers to pick, move and transfer operations in industries.
- Ideal for Cargo Tugging in Airports, In-plant and Warehouses.
- Sleek, Sturdy and Stable for better maneuvering in narrow aisles.
- Highly Efficient for Gradient Operations.



Accelerator & brake pedal



Easy maintenance battery case



Quick battery replacement system



Advanced de-latching system



Tail lamps, indicators & towing hitch

STANDARD FEATURES

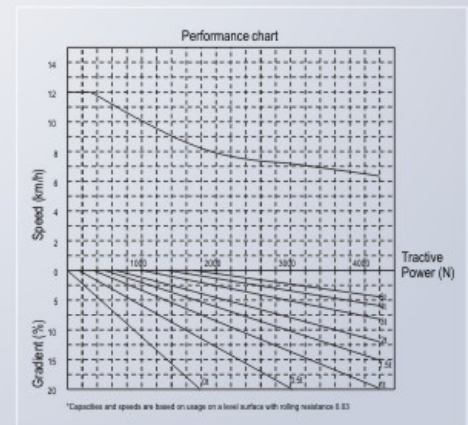
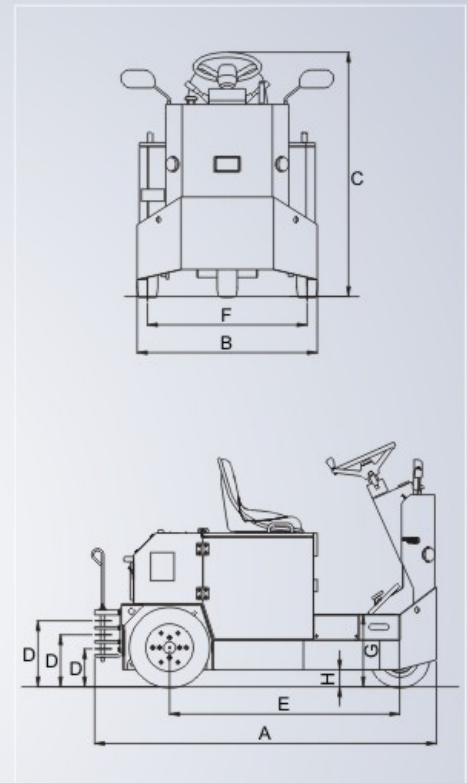
- Battery Discharge Indicator with Hour Meter
- Rear View Mirrors
- Safety Horn
- Front Head Lamp, Tail Lamp and Side Indicators
- Manual De-latching System (3 Levels)
- Lead Acid Traction Battery
- Solid Rubber Tyres
- Emergency Power Cutoff knob with Ignition Switch
- External Battery Charging Socket

OPTIONAL FEATURES

- Beacon Light with Pillar Assembly
- Indicators Safety Guard
- Advanced De-latching System
- Reverse Inching Switch
- Reverse Horn
- Continuous Soft Music
- Battery Safety Switch
- Speed Selector Switch
- Front Rubber Bump
- Rear Pneumatic Tyres
- Battery Changing Trolley
- Seat Belt
- Top Canopy

TECHNICAL SPECIFICATIONS:

Model Type	Unit	DTPM 300	DTPM 400	DTPM 500	DSPM300	DSPM400	DSPM500
Traction Load	Kg	3000	4000	5000	3000	4000	5000
Drive Method		Stand-On			Sit-Down		
Drive Motor		AC					
Travelling Speed-Laden	Km/hr	8	8	8	8	8	8
Travelling Speed-Unladen	Km/hr	12	12	12	12	12	12
Turning Radius (d10)	mm	1680	1680	1680	1680	1680	1680
Overall Length (d1)	mm	1710	1710	1710	1710	1710	1710
Overall Width (d2)	mm	900	900	900	900	900	900
Overall Height (d3)	mm	1220	1220	1220	1435	1435	1435
Towing Pin Height (d5/d6d7)	mm	190/260/330					
Wheelbase (d8)	mm	1150	1150	1150	1150	1150	1150
Tread (d9)	mm	800	800	800	800	800	800
Step Height (d4)	mm	365	365	365	235	235	235
Ground Clearance (d13)	mm	85	85	85	85	85	85
Service Weight	Kg	950					
Control System		Transistor inverter (Curtis)					
Brakes		Hydraulic					
Hand Brake		Mechanical					
Battery	V/Ah	48 / 240					
Battery Charger		Stationary type automatic battery charger					
Battery Charger Capacity	KVA	1.2					
Wheels Front		3.50-5 (01 No.)					
Wheels Rear		4.00-8 (02 Nos)					
Wheels Front		Solid Rubber					
Battery Discharge Indicator		Included with TT					
with Hour Meter							
Rear View Mirrors							
Safety Horn							



Products & Accessories shown here may not be the part of standard equipment

KOLEC

3-3-5 Tenmabashi, Kitaku, Osaka, Japan
 Nakanishi Metal Works Co., Ltd.
 TEL:+81-6-6351-4772 Fax:+81-6-6352-1586
 www.kolec.co.jp



Safety. This Tow Tractor conforms to the current EU requirements. Specifications are subject to change without notice.