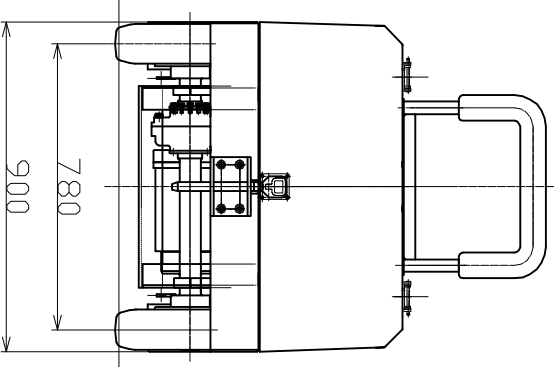
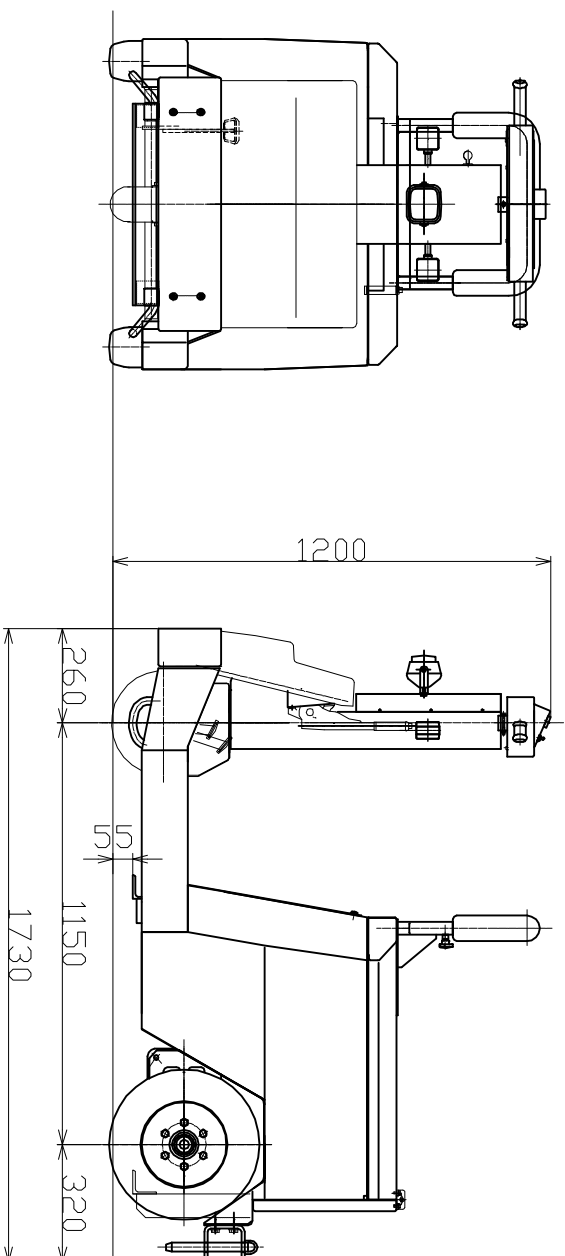
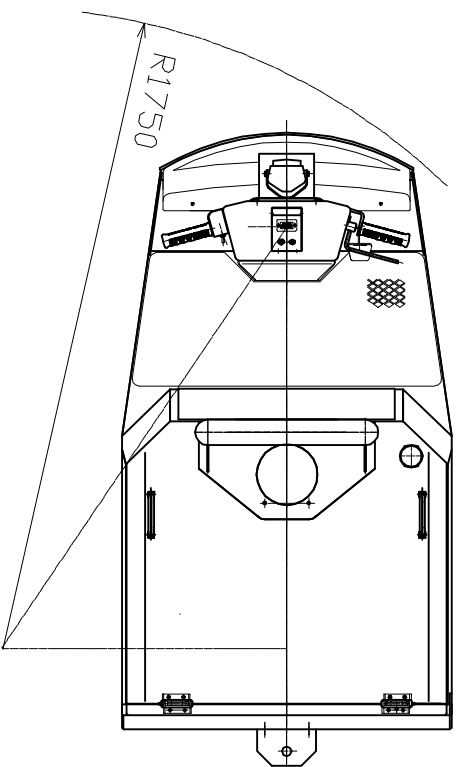


Model Type	DTP200-2A
Maximum Towing Capacity	2000 kg
Maximum Speed(Without Load)	12 km/hr
Maximum Speed(With Load)	80 km/hr
Minimum Turning Radius	1750 mm
Length	1730 mm
Width	900 mm
Height	1200 mm
Wheel Base	1150 mm
Tread	780 mm
Step Height	205 mm
Minimum Ground Clearance	80 mm
Service Weight	About 515 kg
Motor	Series Winding Type 2kw 48V
Battery	EB120x4 (48V/20Ah/5hr)
Control System	Transistor Chopper Control
Brake	Rear Wheel Internal Expanding System
Tire(Front)	3.50-5
Tire(Rear)	4.00-8(4P)
Battery Charger	Stationary Type Automatic Battery Charger



MANAGER	CHECKED	DRAWN	DATE	PART NAME	MASS (kg)
✓	✓	M.TEC	07.01.12	DTP200-2A	---
3-D ANGLE P		MATERIAL	SCALE	PART NO.	
☐中参照			1:10	2013060	
			SIZE	1	