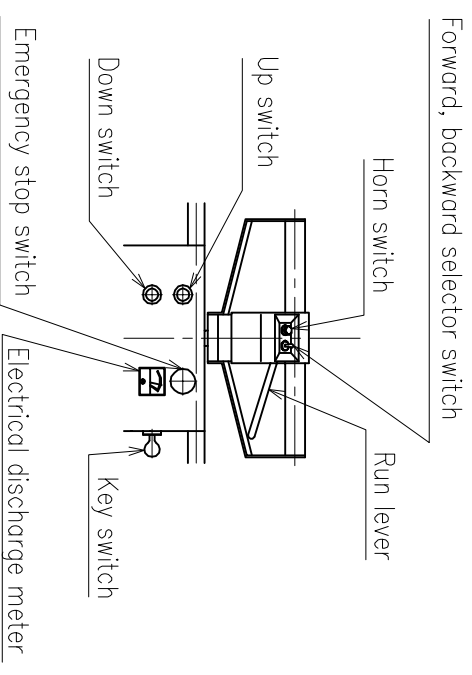
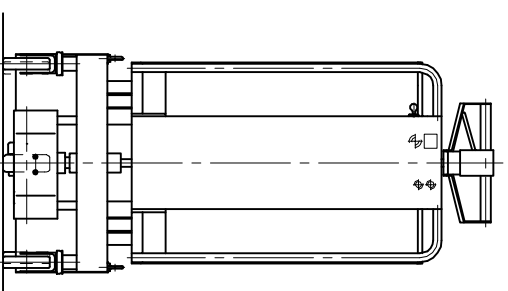
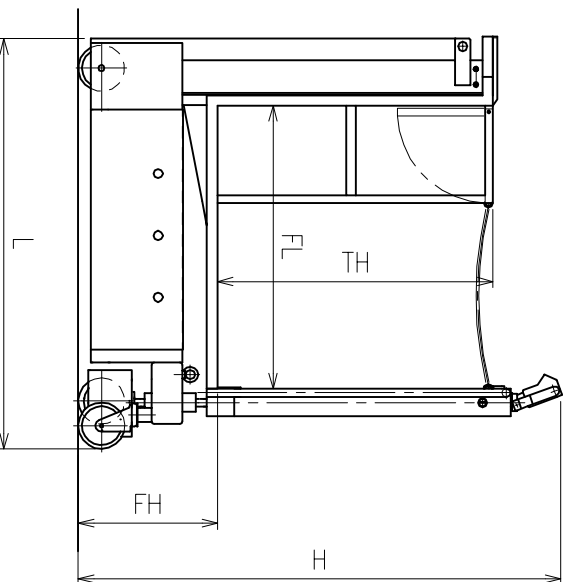
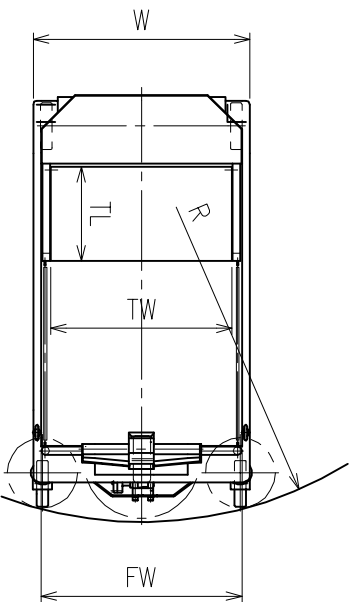


STE Series

Model Type	STE02A	STE02T
Maximum Load	200kg+ Riding Capacity 1 Person	
Driving Speed (With / Without)	2.1km/h • 2.3km/h	
Lifting Speed (With / Without)	140mm/sec • 170mm/sec	
Minimum Turning Radius	R	1270mm
Minimum Perpendicular Passage Width	1200mm	1200mm
Width	W	720mm
Length	L	1310mm
Height	H	1580mm
Floor Width	FW	650mm
Floor Length	FL	915mm
Floor Height	FH	450~1940mm
Table size	TW×TL×TH	580mm×300mm×890mm
Service Weight	380kg	385kg
Drive Wheel	φ 150x55width Urethane 1piece	
Load Wheel	φ 150x38width Urethane 2pieces	
Caster Wheel	φ 150x38width Urethane 2pieces	
Battery	12V 100AH/5HR	
Battery Charger	Built-in Automatic Battery Charger	Single Phase 100V
Braking System	Electromagnetic	Type Off-brake



Controller Details